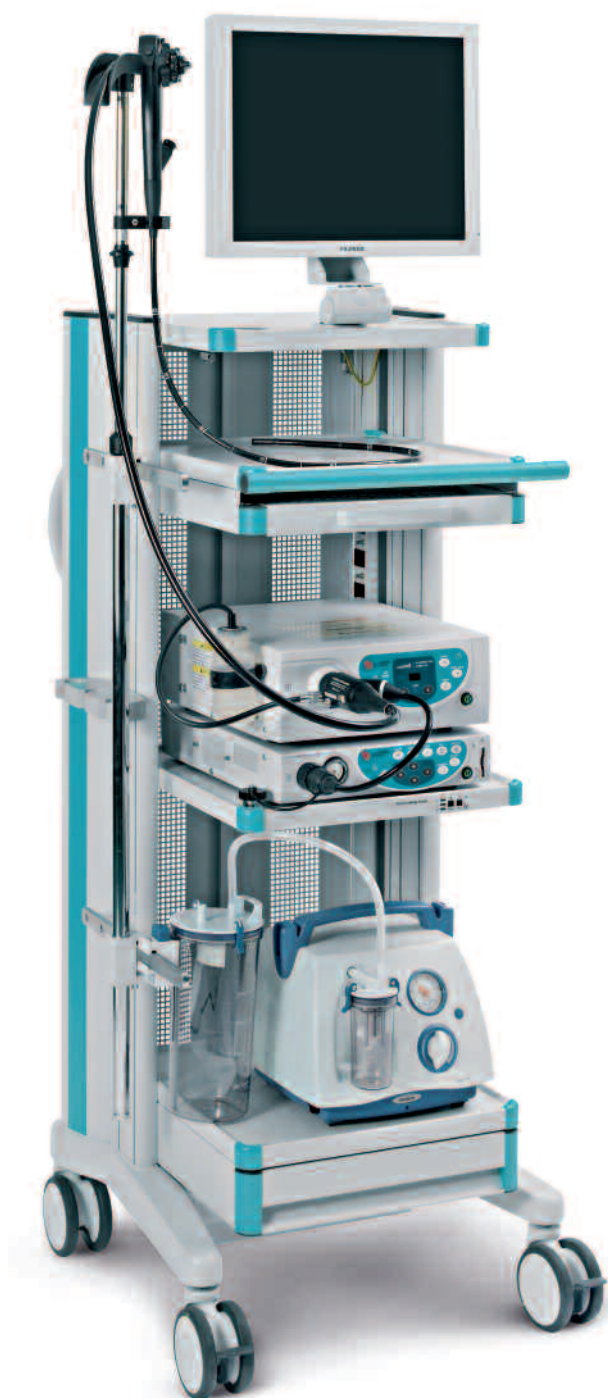


# compact-cart



# THE COMPACT CART WITH A SPECIAL MISSION

**compact-cart** offers a surprising amount of work area in a particularly compact design. The low centre of gravity and the projecting castors provide outstanding tilt stability.

The choice between the two basic frames “Economy” – for small cable volumes – and the outstanding “Profi” version with expanded routing capacity and optional isolating transformer make **compact-cart** an all-rounder in a number of areas such as

- Endoscopy and
- Ultrasound diagnosis.





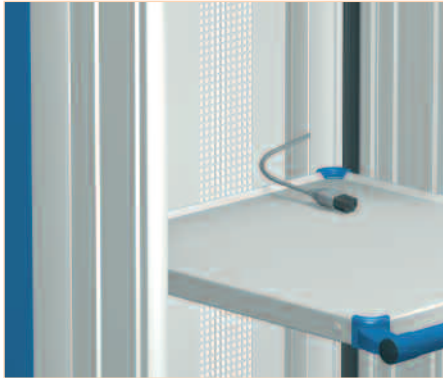
Technical data

74

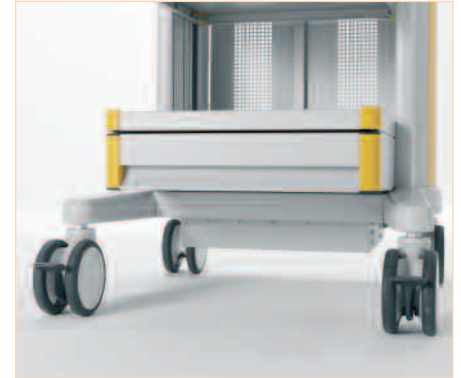
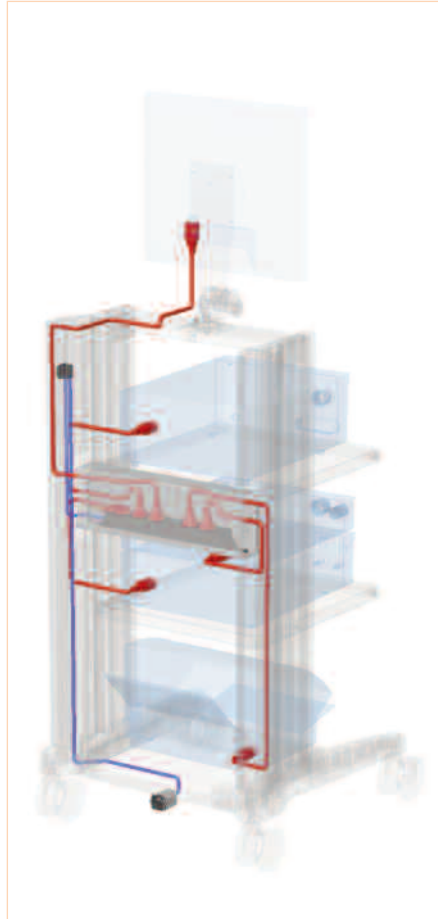
Ordering data **compact-cart**

76

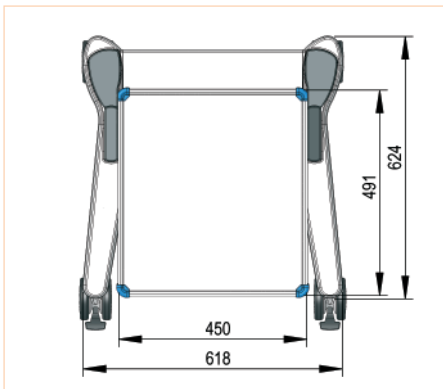
# THE IDEAL PLATFORM FOR YOUR SOLUTIONS



**Soft rubber lips** in the power column offer short connection lines, for e.g. easy wipe cleaning.

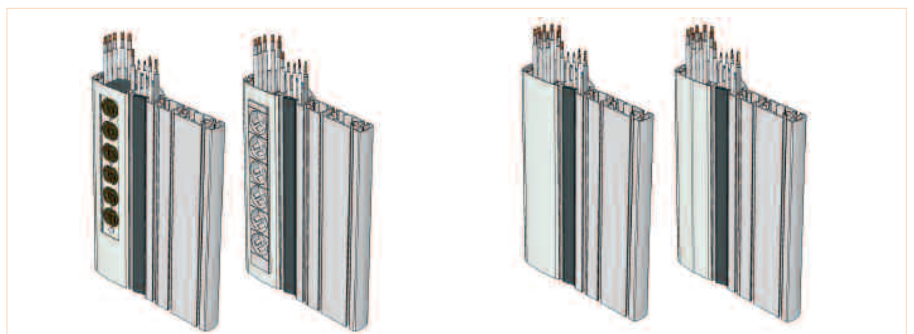


**Powerful isolating transformers (1200 VA / 2000 VA)** can already be installed from a width of 450 mm and can be safely incorporated in the equipment cart base.



The new design of the base gives **compact-cart** an **optimum ratio of storage area to work area**.

The optional **central power unit** accommodates socket strips and provides protection against unauthorized access.



The power columns permit as standard separate cable routing and **accommodation of all common socket strips**, e.g. hospital grade, over the entire extrusion length without losing any socket spaces.

**compact-cart** impresses in every detail

## Perfect functionality

- The basic frame is supplied in two versions:
  - ➔ The Economy version meets all your primary expectations for a functional equipment cart.
  - ➔ The Profi version offers safe cabling with power columns and many other expansion options.
- The design of the base guarantees an optimum ratio of storage area to work area.
- **compact-cart** accommodates a payload of up to 180 kg / 396 lbs and is supplied in widths of 450, 500 and 650 mm.

## Safe power supply

- Spacious power columns accommodate all standard socket strips and also protect the power supply against unauthorized access.
- Powerful isolating transformers supplied as an option with up to 2000 VA reduce earth-leakage currents.
- An optionally installed central power unit combines with the power columns to deliver virtually invisible cable management.
- A central on and off switch can be integrated in the power column.

## Smart cable management

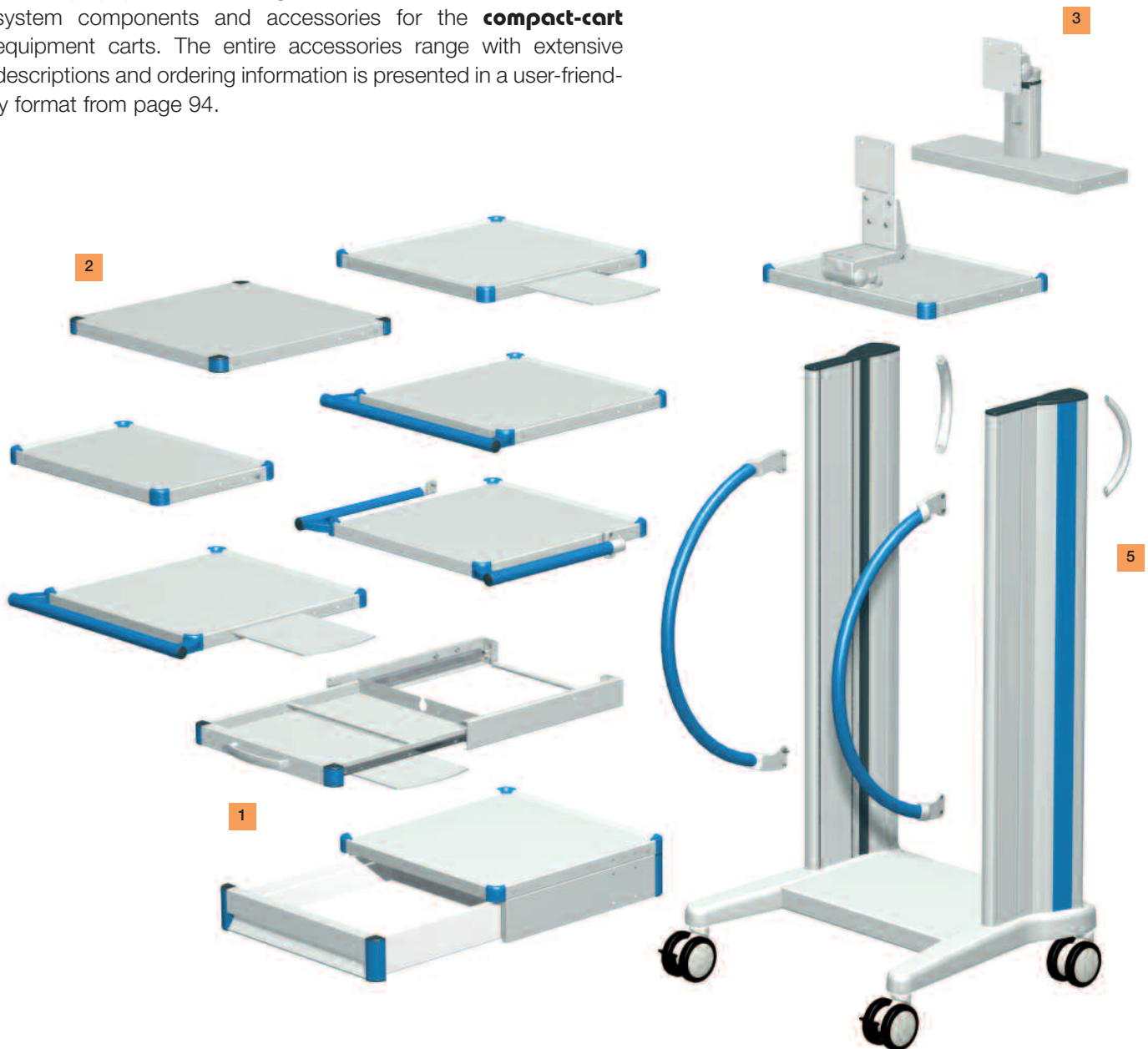
- Rubber lips permit cable entry and exit over the entire height of the support column.
- The power columns permit separate management of data lines and power cables.



# THE MODULAR SYSTEMS FOR INDIVIDUAL SOLUTIONS

The modular structure is the defining feature of the entire ITD product range. It allows all support systems to be configured, upgraded or modified for the specialist functions and application areas. This capability allows users to react fast and consistently to any changes or new customer requirements.

The display presented alongside shows a small selection of system components and accessories for the **compact-cart** equipment carts. The entire accessories range with extensive descriptions and ordering information is presented in a user-friendly format from page 94.





1 The **drawer** can be supplied in different versions.



2 The **shelf** can be supplied in different versions and the continuous raised edge offers your valuable equipment a secure platform.



3 The **monitor holder** accommodated on the shelf can be swivelled and tilts forward  $\pm 15^\circ$ .



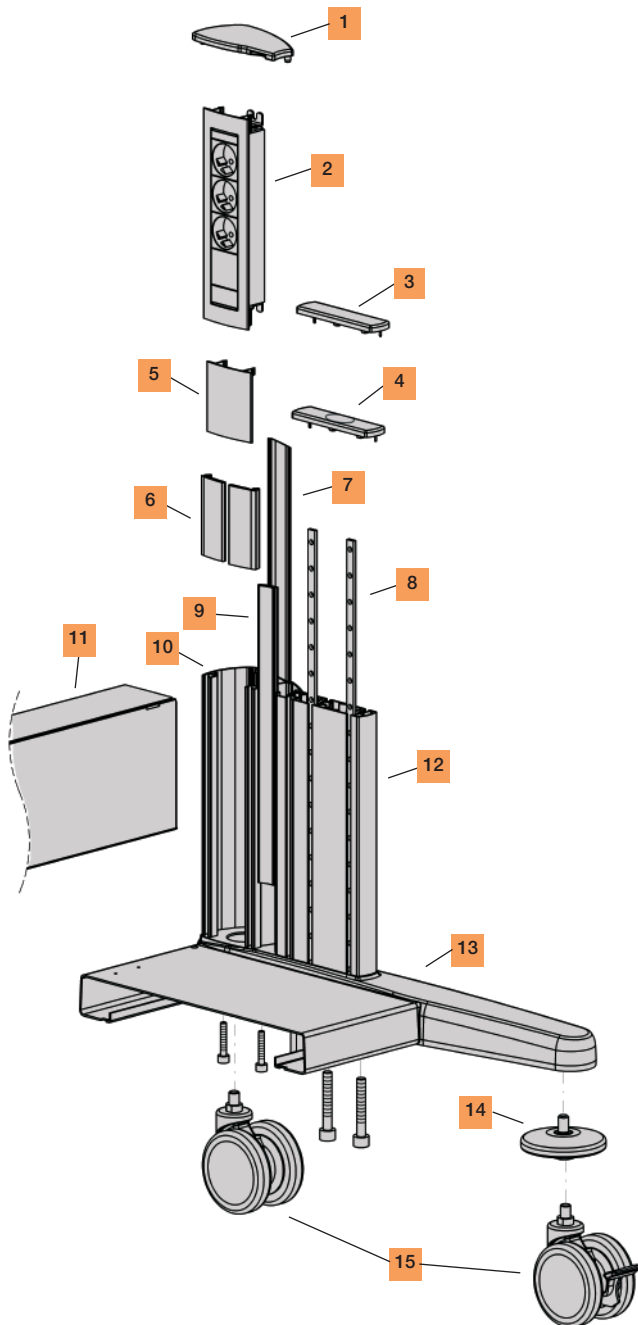
4 An optionally attachable, lockable **power unit** accommodates socket strips and permits direct and concealed cabling.



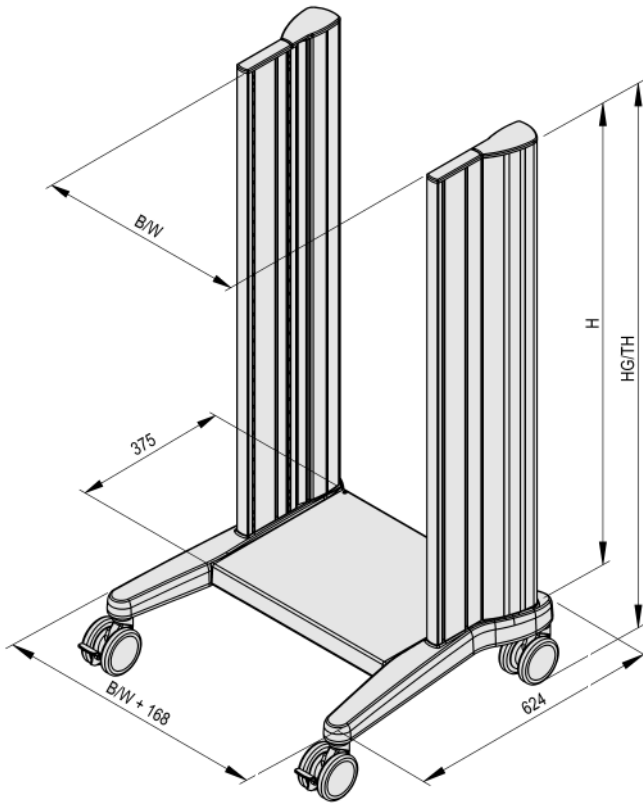
5 A **central on and off switch** is integrated in the power column – e.g. in conjunction with an isolating transformer – and is clearly visible.

For an overview of system components and accessories, see page

# DESIGN ELEMENTS AND DIMENSIONS



- 1** Cap of the power column made of plastic (ABS)
- 2** Socket strip for assembly in the power column
- 3** Cap of the vertical extrusions made of plastic (ABS)
- 4** Cap of the vertical extrusions made of plastic (ABS) with hole (Ø 25 mm), used when accessories are mounted in the guide
- 5** Cover strip for closing the power column (optional)
- 6** Cover strips made of soft plastic (EPDM), in RAL 7035 Light Grey
- 7** Decorative trim (made of extruded aluminium), in RAL 7035 (Light Grey), RAL 5015 (Sky Blue) or RAL 1003 (Signal Yellow), powder-coated
- 8** Tapped strip (made of steel) for mounting all system components in the cart interior (tapped holes M6 in increments of 32 mm)
- 9** Cover strips made of soft plastic (EPDM), in RAL 7043 Traffic grey B
- 10** Power column (made of extruded aluminium) for management of cables and socket strips
- 11** Lockable power unit as mounting for socket strips and large cable volumes
- 12** Vertical extrusion (made of extruded aluminium), in RAL 7035 (Light Grey), powder-coated
- 13** Base (made of sheet steel) with runners (made of cast aluminium) for accommodating castors
- 14** Wall protector (optionally supplied)
- 15** Twin swivel castors with Ø 100 mm or Ø 125 mm, two with wheel locks, optionally also supplied in conductive version



More detailed information on the basic frame is provided in the chapter System components and accessories on page 104).

Total width TW	Installation width W
618 mm	450 mm
668 mm	500 mm
818 mm	650 mm

Installation height H	Length of the extrusion H	TH for Castors Ø 100 mm	TH for Castors Ø 125 mm
30 U <sup>1)</sup>	960 mm	1146 mm	1180 mm
35 U <sup>1)</sup>	1120 mm	1306 mm	1340 mm
40 U <sup>1)</sup>	1280 mm	1466 mm	1500 mm

## Load capacity

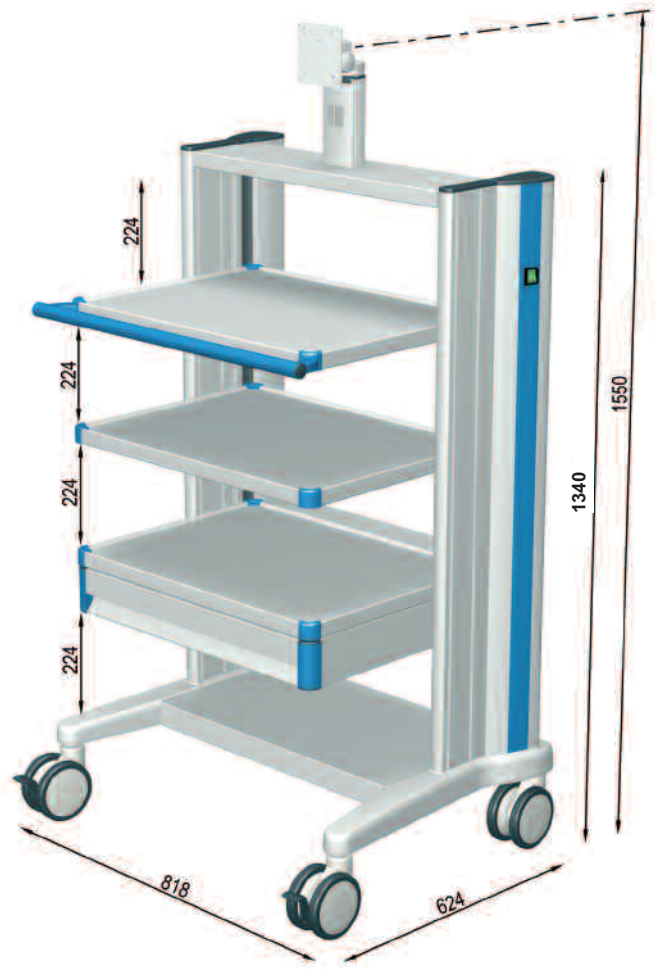
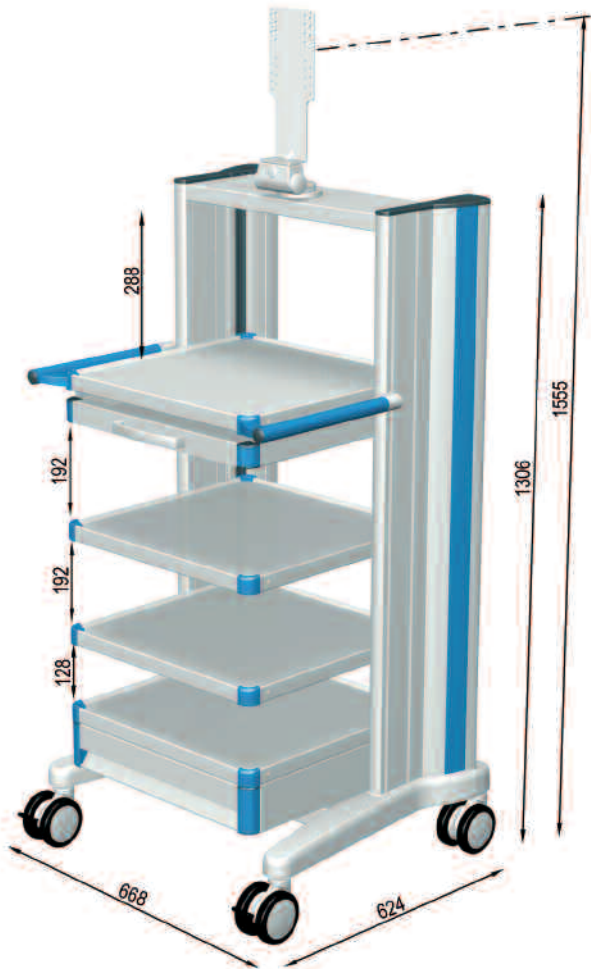
■ Basic frame total payload	180 kg / 396.0 lbs
■ Shelf	50 kg / 110.0 lbs
■ Shelf pullout	20 kg / 44.0 lbs
■ Drawer	5 kg / 11.0 lbs

## Setup

- 1 base
- 4 twin swivel castors with Ø 100 mm or Ø 125 mm, two with wheel locks. All sizes are also supplied in a conductive version.
- 2 vertical extrusions each with 2 tapped strips (32 mm increments)
- 2 power columns with caps and cover strips
- Supplied fully assembled

<sup>1)</sup> 1 U = 32 mm

# ORDER CONFIGURATIONS



**compact-cart video cart, 35 U<sup>1)</sup>**  
**Installation width W 500 mm**  
**Order number CC.5080.XXX <sup>2)</sup>**

Basic frame **Profi 35 U<sup>1)</sup>**, 1306 mm,  
 fitted with:

- 4 twin swivel castors ø 100 mm,  
 2 with wheel locks
- 3 shelves
- 1 shelf with side handles
- 1 block of drawers
- 1 keyboard drawer with mousepad
- 1 monitor crosspiece with universal bracket  
 for monitors up to 14 kg / 30.8 lbs

**Load capacity:** 180 kg / 396 lbs

**Finish:**

- RAL 7035 Light Grey powder-coated
- **Decorative trims and handles** see optionally <sup>2)</sup>

**compact-cart video cart, 35 U<sup>1)</sup>**  
**Installation width W 650 mm**  
**Order number CC.6582.XXX <sup>2)</sup>**

Basic frame **Profi 35 U<sup>1)</sup>**, 1331 mm,  
 fitted with:

- 4 twin swivel castors ø 125 mm,  
 2 with wheel locks
- 1 shelf with handle
- 2 shelves
- 1 block of drawers
- 1 monitor crosspiece with swivel and tilt VESA 100  
 adaptor for monitors up to 14 kg / 30.8 lbs
- 1 Power-Unit
- 1 socket strip earthed 8-way with central  
 on and off switch

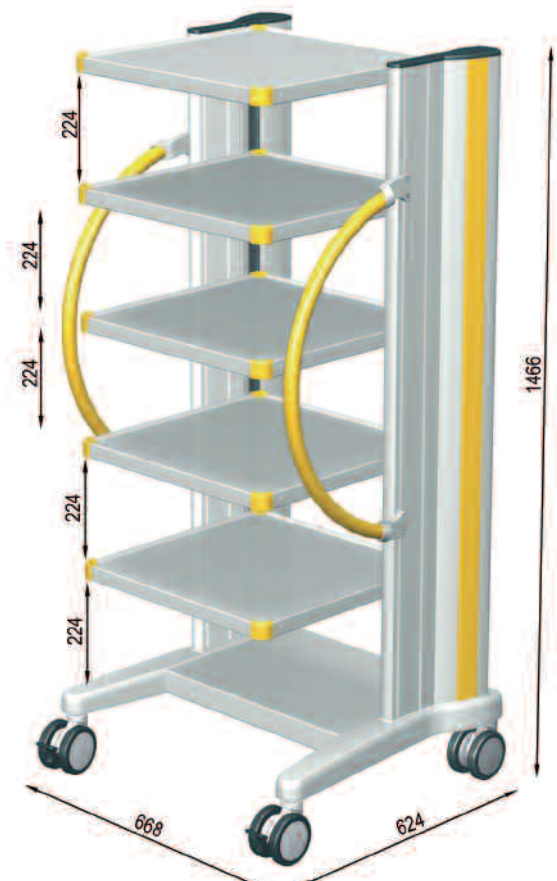
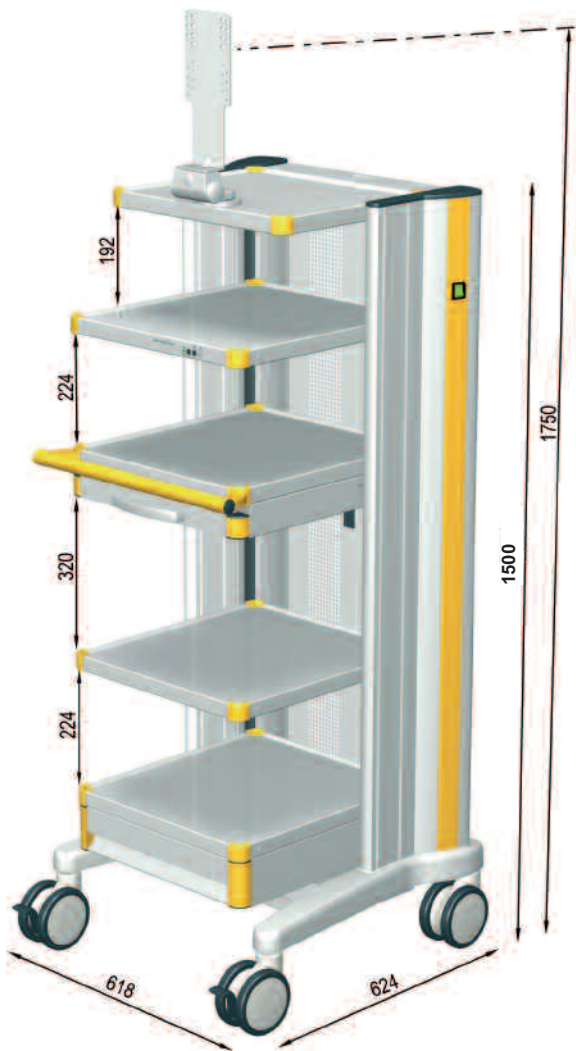
**Load capacity:** 180 kg / 396 lbs

**Finish:**

- RAL 7035 Light Grey powder-coated
- **Decorative trims and handles** see optionally <sup>2)</sup>

<sup>1)</sup> 1 U = 32 mm

<sup>2)</sup> **Trim colour:** Make sure you replace .XXX with .903 = RAL 7035 Light Grey, .908 = RAL 5015 Sky Blue, .903 = RAL 1003 Signal Yellow



**compact-cart Videowagen with isolating transformer, 40 U<sup>1)</sup>**  
Installation width W 450 mm

Order number VT.4500.XXX <sup>2)</sup>

Basic frame **Profi 40 U<sup>1)</sup>**, 1491 mm, fitted with:

- 4 twin swivel castors ø 125 mm, conductive, 2 with wheel locks
- 3 shelves (1 shelf with handle)
- 1 shelf for insulation monitor
- 2 rear doors
- 1 keyboard drawer with mousepad
- 1 block of drawers
- 1 monitor shelf with swivel and tilt VESA 100 adaptor for monitors up to 14 kg / 30.8 lbs
- 1 isolating transformer with 2000 VA and insulation monitor

**Load capacity:** 180 kg / 396 lbs

**Finish:**

- RAL 7035 Light Grey powder-coated
- **Decorative trims and handles** see optionally <sup>2)</sup>

**compact-cart video cart, 40 U<sup>1)</sup>**  
Installation width W 500 mm

Order number CC.5081.XXX <sup>2)</sup>

Basic frame **Profi 40 U<sup>1)</sup>**, 1460 mm, fitted with:

- 4 twin swivel castors ø 100 mm, 2 with wheel locks
- 2 vertical rounded handles front
- 5 shelves

**Load capacity:** 180 kg / 396 lbs

**Finish:**

- RAL 7035 Light Grey powder-coated
- **Decorative trims and handles** see optionally <sup>2)</sup>

<sup>1)</sup> 1 U = 32 mm

<sup>2)</sup> **Trim colour:** Make sure you replace .XXX with .903 = RAL 7035 Light Grey, .908 = RAL 5015 Sky Blue, .903 = RAL 1003 Signal Yellow

# OVERVIEW

## SYSTEM COMPONENTS AND ACCESSORIES

Basic frames	Profi	Installation width	W 450	W 500	W 650
		Height 30 U	CC.4503.XXX	CC.5003.XXX	CC.6503.XXX 1)
		35 U	CC.4504.XXX	CC.5004.XXX	CC.6504.XXX 1)
	Economy	40 U	CC.4505.XXX	CC.5005.XXX	CC.6505.XXX 1)
		Height 21 U	EB.4502.XXX	EB.5002.XXX	EB.6502.XXX 1)
		30 U	EB.4503.XXX	EB.5003.XXX	EB.6503.XXX 1)
		35 U	EB.4504.XXX	EB.5004.XXX	EB.6504.XXX 1)
40 U	EB.4505.XXX	EB.5005.XXX	EB.6505.XXX )		
Rear door	for installation width	W 450	W 500	W 650	
		Height 30 U	CC.4560.991	CC.5060.991	CC.6560.991
		35 U	CC.4561.991	CC.5061.991	CC.6561.991
		40 U	CC.4562.991	CC.5062.991	CC.6562.991
Castor conversion kits	Ø 100 mm, conductive, instead of standard Ø 100 mm	ZV.9428.999			
	Ø 125 mm, conductive, instead of standard Ø 100 mm	ZV.9923.999			
	Ø 125 mm, conductive, instead of standard Ø 100 mm, conductive	ZV.9924.999			
Shelf	for installation width	W 450	W 500	W 650	
		without handle	CC.4520.XXX	CC.5020.XXX	CC.6520.XXX 1)
		with push/lift handle	CC.4521.XXX	CC.5021.XXX	CC.6521.XXX 1)
		with side handles	CC.4524.XXX	CC.5024.XXX	CC.6524.XXX 1)
		with mousepad	CC.4522.XXX	CC.5022.XXX	CC.6522.XXX 1)
		with mousepad and handle	CC.4523.XXX	CC.5023.XXX	CC.6523.XXX 1)
		for insulation monitor	CC.4525.XXX	CC.5025.XXX	CC.6525.XXX 1)
		depth 320 mm	CC.4528.XXX	CC.5028.XXX	CC.6528.XXX 1)
		depth 320 mm for retrofitting with monitor holder	CC.4527.XXX	CC.5027.XXX	CC.6527.XXX 1)
Keyboard drawer	with mousepad	CC.4550.XXX	CC.5050.XXX	CC.6550.XXX 1)	
Computer holder		GW.0709.991			
		TS.6144.991			
Monitor holder	for installation width	W 450	W 500	W 650	
		crosspiece with monitor holder for 17,6 lbs	CC.4531.991	CC.5031.991	CC.6531.991
		crosspiece with monitor holder for 30,8 lbs	CC.4532.991	CC.5032.991	CC.6532.991
		monitor shelf with monitor holder up to 30,8 lbs	CC.4529.XXX	CC.5029.XXX	CC.6529.XXX 1)
Monitor holder	on the side of vertical extrusion	GW.0708.991			
Drawer	for installation width	W 450	W 500	W 650	
		1-unit, 3 U high	CC.4540.XXX	CC.5040.XXX	CC.6540.XXX 1)
		1-unit, 6 U high	CC.4541.XXX	CC.5041.XXX	CC.6541.XXX 1)
Basket		ZV.9967.800			
Gallery	for installation width	W 450	W 500	W 650	
		for shelf/drawer	ZV.9632.999	ZV.9633.999	ZV.9634.999
Endoscope holder	mounting in the vertical extrusion	single	double		
		GW.0393.800	GW.0472.800		
		GW.0394.991	GW.0473.991		
Connector holder		ZV.9833.999			
Hose holder		GW.9882.999			
Camera holder	assembly at the side on the shelf	GW.9990.999			
	with clamp	GW.9983.991			
	with mounting	GW.9808.991 1)			

1) **Trim colour:** Make sure you replace .XXX with .903 = RAL 7035 Light Grey, .908 = RAL 5015 Sky Blue, .903 = RAL 1003 Signal Yellow

Cable holder	for safe and gentle accommodation				GW.9807.991
Gel bottle holder					GW.0800.991
Bottle holder	for D 120 mm, 1 l				GW.0400.991
	for D 145 mm, 2 l				GW.0401.991
	for rinsing bottle				GW.9805.999
Gas bottle holder	for gas bottles with max. 2 l content				GW.0466.991
	for gas bottles with Ø 145 mm, 3 l / 5 l / 10 l content				GW.0160.991
	for gas bottles with Ø 205 mm, 20 l / 50 l				GW.0285.991
Infusion stand	4-arm	with one hand - adjustment, 4 x 2 kg			ZV.9882.800
	4-arm	with one hand - adjustment, 4 x 5 kg			ZV.9464.800
Standard runner					GW.9801.991
Anchor					ZV.9820.799
Holder for suction system			Strässle/Ergoline	Hellige/KISS	Ohlenschläger
			GW.0570.991	GW.0702.991	GW.0704.991
Foot switch shelf / cradle					ZV.9991.991
Holder for transducer					GW.0843.99
Box holder	"Dracula"				ZV.9832.999
Pivot arm	single, with VESA 75/100 adaptation for flat screen				TS.6063.991
	double, with VESA 75/100 adaptation for flat screen				TS.6064.991
Variable height arm	length 400 mm		L 400 mm		ZV.9538.999
	single	Load capacity 8 kg / 17.6 lbs	L 750 mm		ZV.9741.999
		Load capacity 10 - 13 kg / 22 - 28.6 lbs	L 750 mm		ZV.9724.999
	double	Load capacity 8 kg / 17.6 lbs	L 1190 mm		ZV.9740.999
		Load capacity 10 - 13 kg / 22 - 28.6 lbs	L 1190 mm		ZV.9721.999
Jointed arm	with hose clamps, for cable management				ZV.9955.799
Handle	in front				FC.0217.XXX
	rear				FC.0215.991
Socket strips	6-way EURO				ZV.9562.999
	6-way earthed				ZV.9563.999
	8-way earthed				ZV.9564.999
	8-way earthed with switch				ZV.9565.999
	8-way earthed with central on / off switch				ZV.9566.999
	6-way French standard				ZV.9567.999
Socket strip mounting kit					FC.0302.991
Power-Unit		for installation width	W 450	W 500	W 650
			CC.4564.XXX	CC.5064.XXX	CC.6564.XXX
Isolating transformer			without insulation monitor	with insulation monitor	
	1200 VA with 6-way socket strip Euro		ZV.9482.999	ZV.9483.999	
	2000 VA with 8-way socket strip Euro		ZV.9497.999	ZV.9496.999	

You will find a comprehensive description and ordering information on all components suitable for **compact-cart** in the **system components and accessories** section.

**System components and accessories** from page

94

**Order number index** from page

180